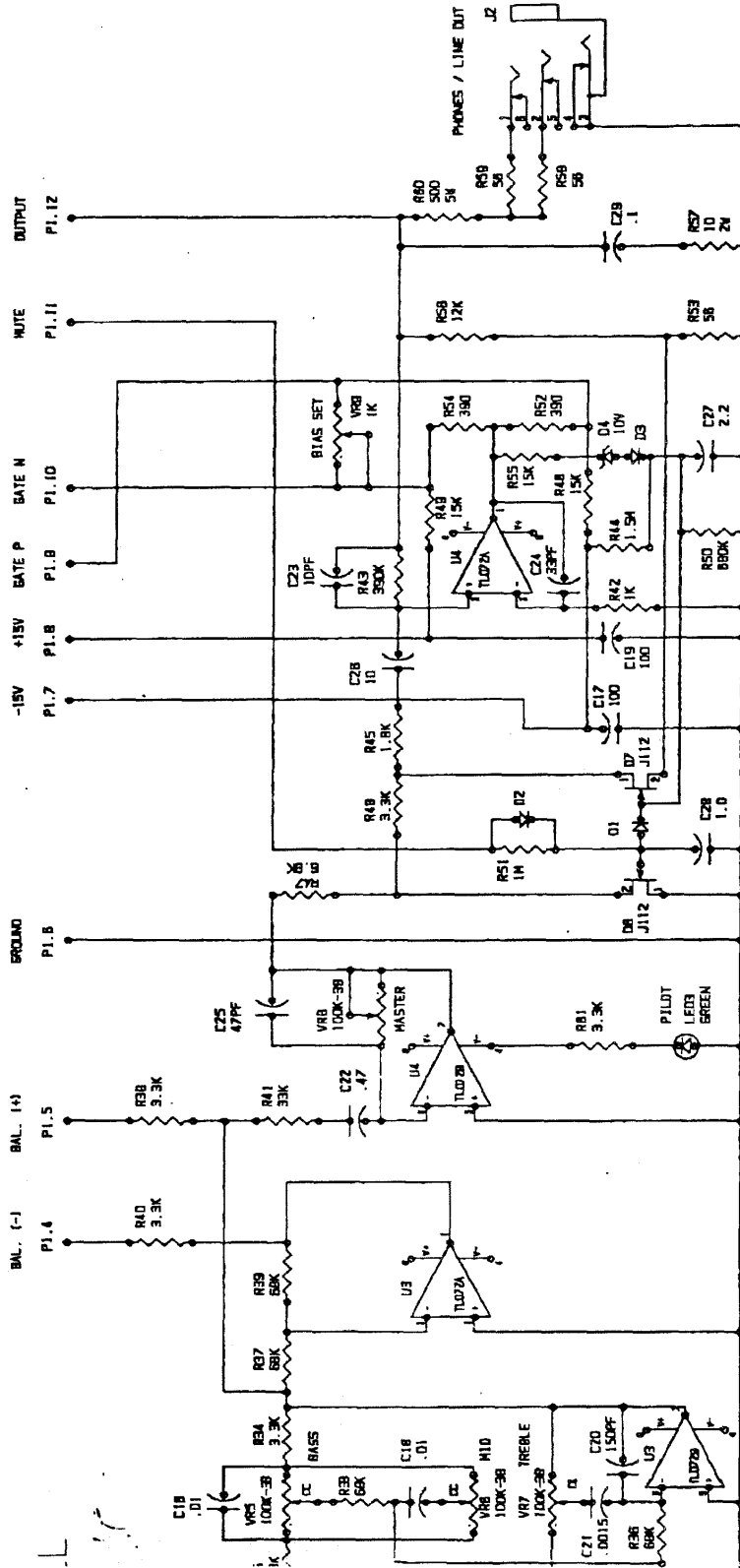
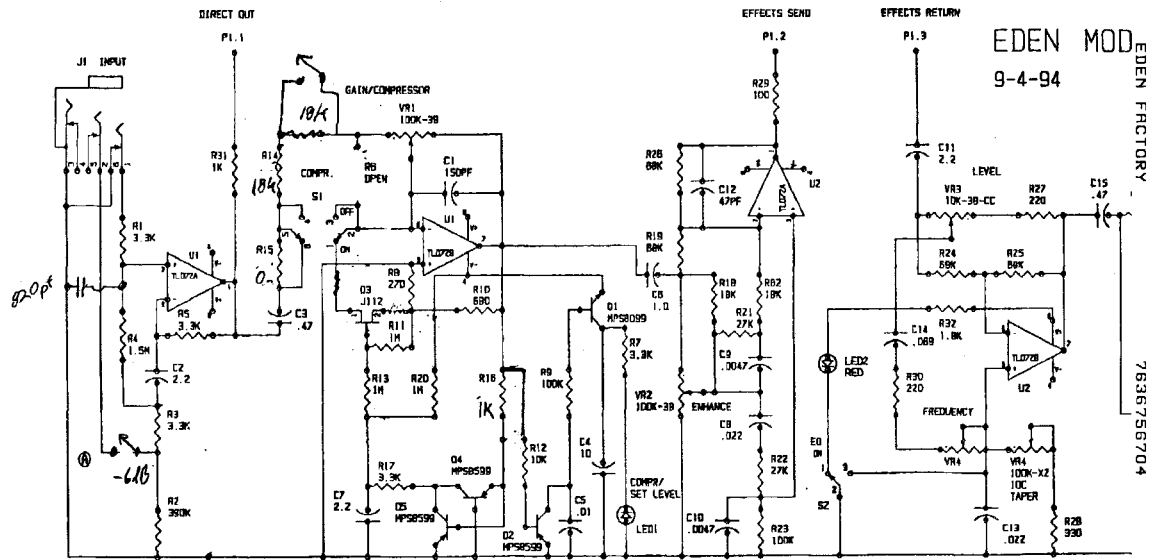


NC-200 (A)





EDEN MOD
9-4-94

EDEN FACTORY
7636756704

NC-200

P. 4

7636756704

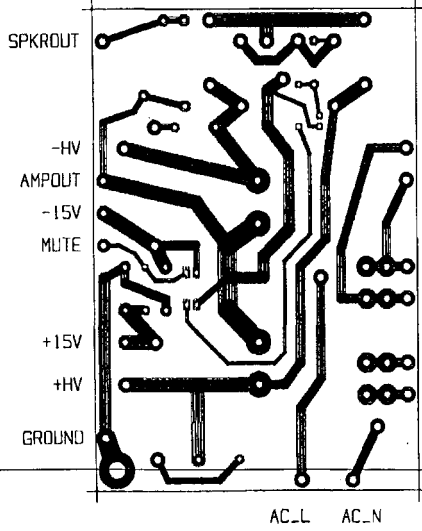
EDEN FACTORY

Jun 24 03 10:04a

EDEN ELECTRONICS, INC. PH: (612) 675-3650
EEPS1 POWER SUPPLY PCB 8-17-94 R.V. ALLEE

NOTES:

MATERIAL = GLASS EPOXY G10 FR4 .062 THICK
SINGLE SIDED -- USE 2 OZ COPPER TINNED
SILK SCREEN LOCATIONS IN WHITE
APPLY SOLDER MASK IN GREEN
PCB SIZE = 4.50 X 3.15 INCHES



F120V FUSE SELECTOR

F240V FUSE SELECTOR

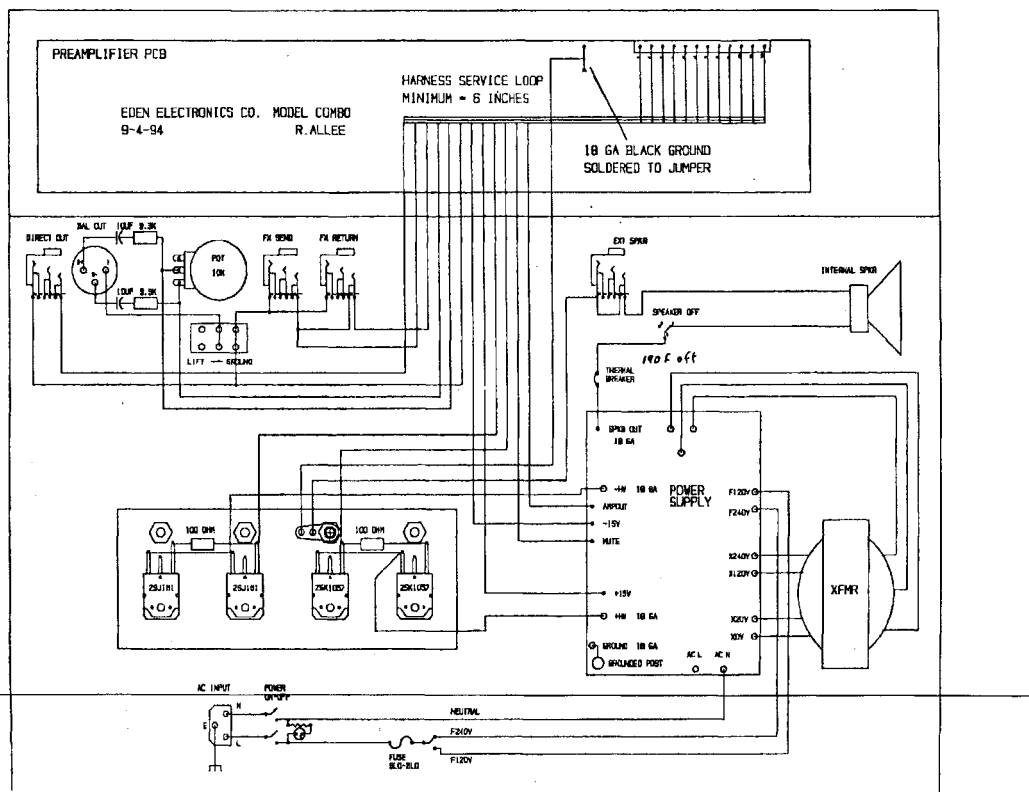
X240V

X120V

X20V

X0V

AC-L AC-N



EDEN ELECTRONICS, INC. PH: (612) 675-3650
EEPS1 POWER SUPPLY PCB 8-17-94 R.V.ALEE

NOTES:
MATERIAL = GLASS EPOXY G10 FR4 .062 THICK
SINGLE SIDED -- USE 2 OZ COPPER TINNED
SILK SCREEN LOCATIONS IN WHITE
APPLY SOLDER MASK IN GREEN
PCB SIZE = 4.50 X 3.15 INCHES

